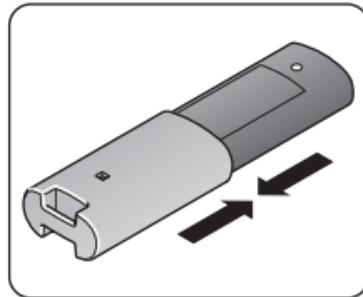
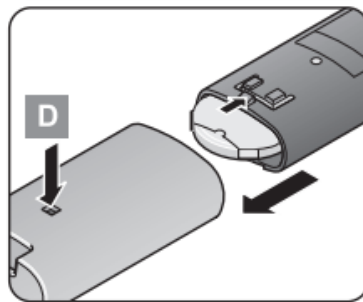
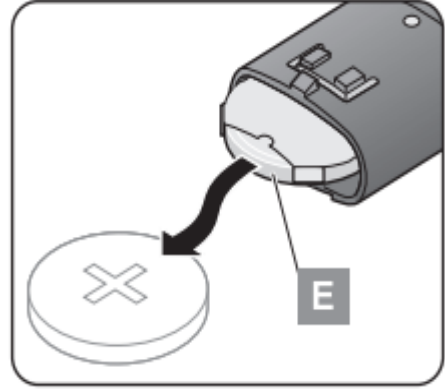
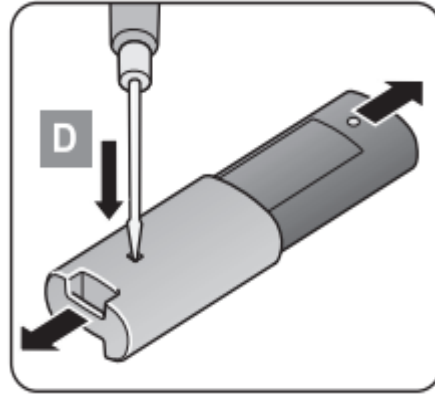
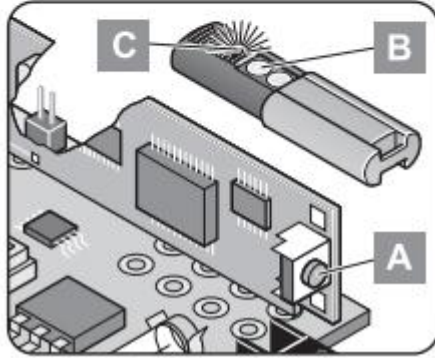
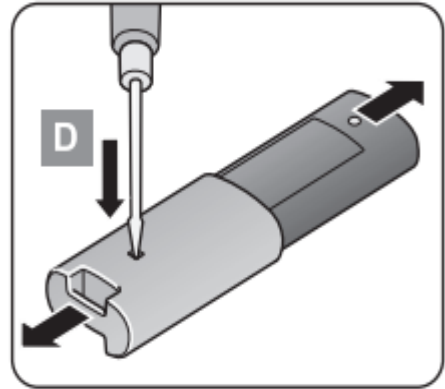
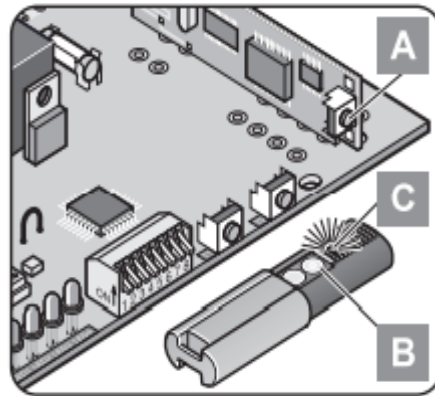
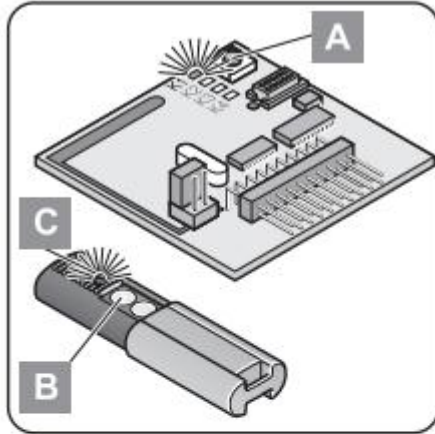




SOMMER 4026



Code transmission - manual remote control to radio receiver

There are 2-channel and 4-channel radio receivers - the one illustrated is a 4-channel model. SL-type garage door drives are equipped with a 2-channel radio receiver.

1. Press learning button (A) on radio receiver - 1x for channel 1, LED 1 lights up - 2x for channel 2, LED 2 lights up - 3x for channel 3, LED 3 lights up - 4x for channel 4, LED 4 lights up
2. Press required manual remote control button (B).
3. The manual remote control transmits the given radio code to the radio receiver. - Corresponding LED goes out according to the channel that has been selected.
4. Repeat the procedure mentioned under points 1 + 2 to program further manual remote controls on to the given radio receiver