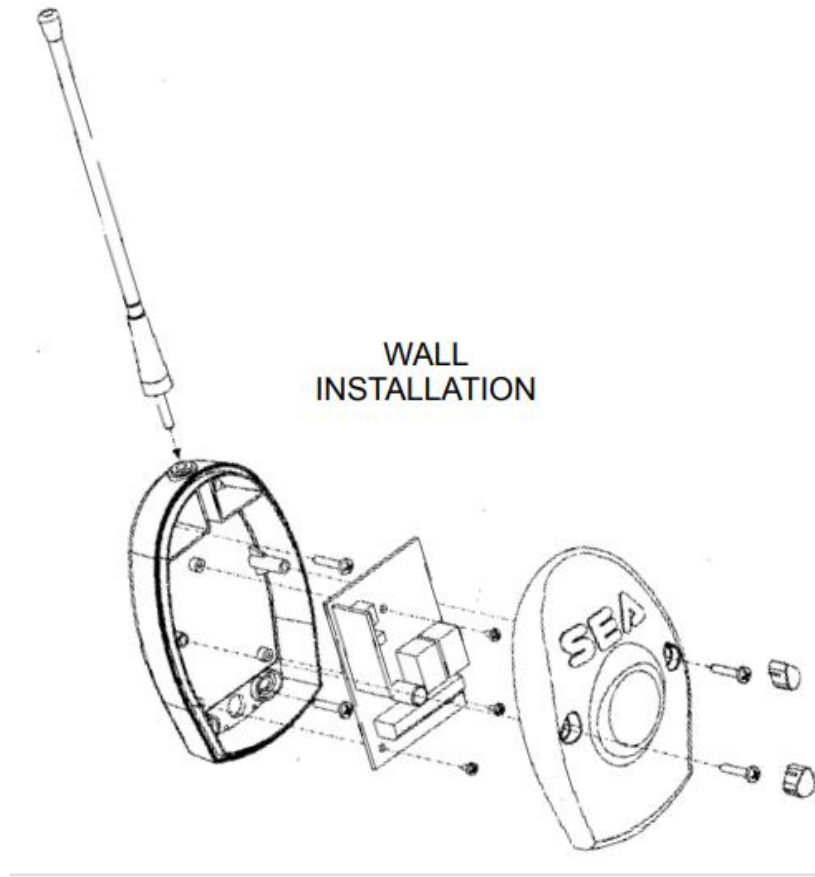




SEA SIGN.BOX UNI 433Mhz Receiver



Radio control learning on Channel 1:

1. Push P1 button to have access to the Programming modality
2. Ch1 led will switch on
3. Push the selected button on the transmitter
4. Ch1 led will flash twice to confirm the memorisation and it will stay switched on until it will receive a new code (other transmitter).
5. Memorise other radio controls or push P1 twice to exit from the Programming modality.

Radio control learning on Channel 2:

1. Push P1 button TWICE to have access to the Programming modality
2. Ch2 led will switch on - Push the selected button on the transmitter
3. Ch2 led will flash twice to confirm the memorisation and it will stay switched on until it will receiver a new code (other transmitter)
4. Memorise other radio controls or push P1 twice to exit from the Programming modality