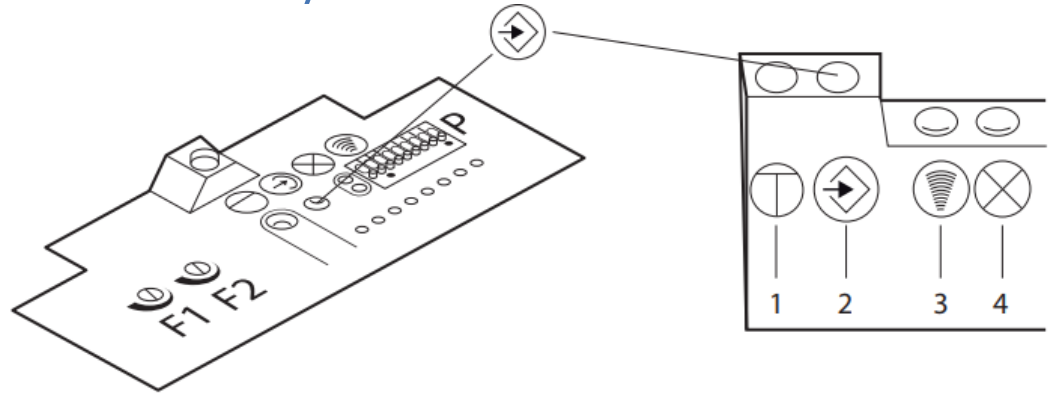
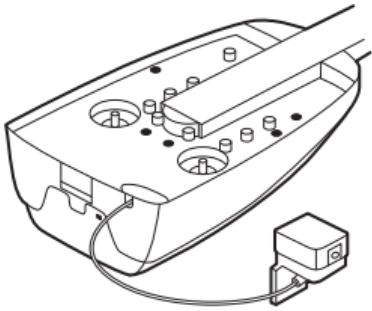





NORMSTAHL/CRAWFORD



Locate the button  on the motor of CRAWFORD. Press briefly the button  the release it. The LED lightens up.

Take your new remote control and press and hold one of the buttons. The LED  blinks once.

Wait 10 seconds then test your new remote