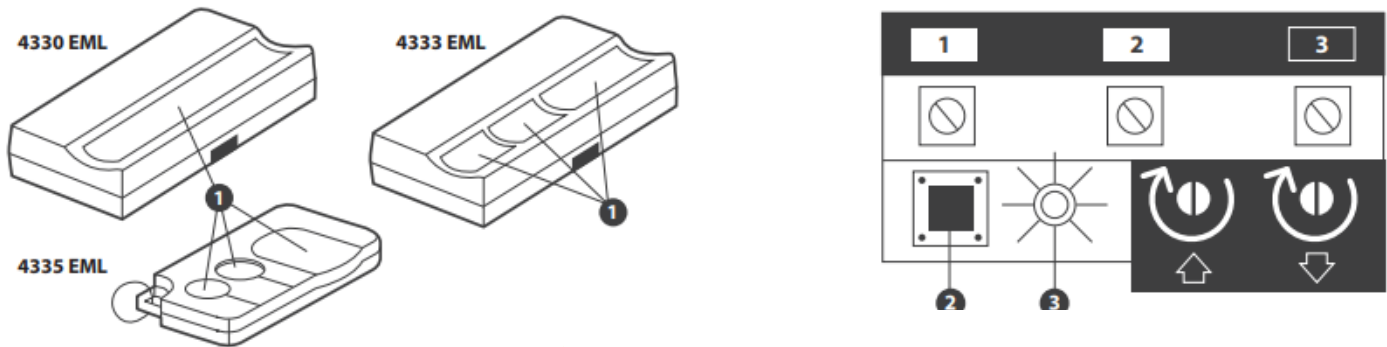




CHAMBERLAIN 4330E

Programming of a new remote control:



1. Press and hold a button on your new transmitter
2. Simultaneously press the 2 "Smart" button located at the back of the motorization engine
3. The light of the door opener comes on then off immediately.
4. Release the button on the remote. If you release the button on the remote control before the light flashes, the remote control will not be programmed

To erase the memory:

Press and hold the "Smart" button on the control panel of the door opener until the green LED turns off (in approx. 6 seconds).

All the previously memorized. codes will be erased