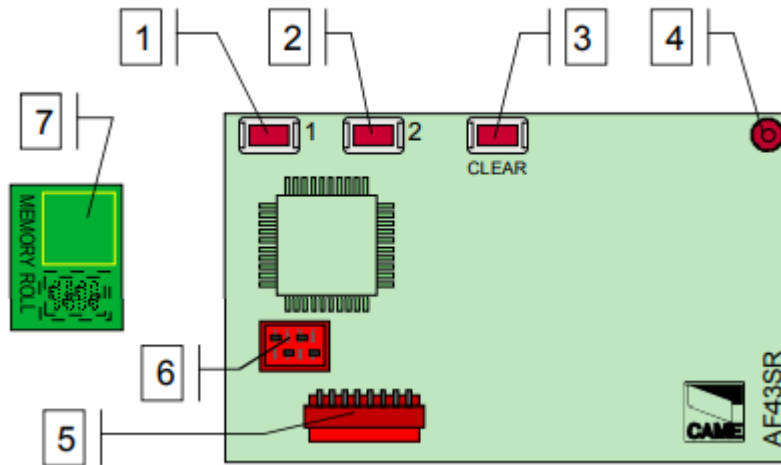


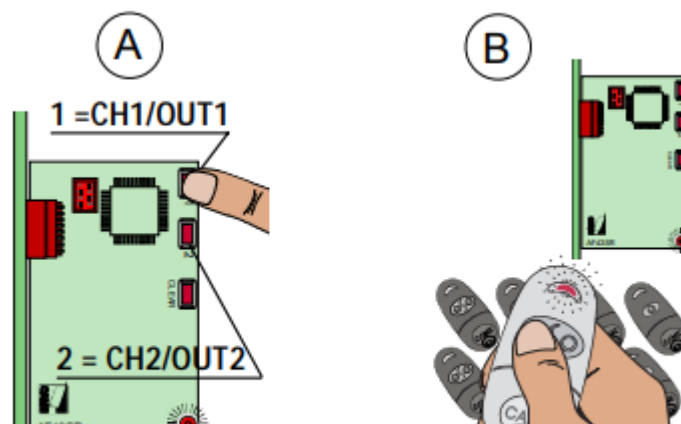


CAME AF43S RECEIVER



- 1 Pushbutton 1: channel 1 (CH1/OUT1) code storage or data transfer **from the Memory Roll** to the receiver;
- 2 Pushbutton 2: channel 2 (CH2/OUT2) code storage or data transfer **from the receiver** to the Memory Roll;
- 3 CLEAR pushbutton: cancel all the memory;
- 4 LED indicator;
- 5 Connector for insertion in a control board;
- 6 Connector for inserting the memory roll;
- 7 Data archive memory roll (see Note 2 on the reverse).

1 - Press a code storage pushbutton for 2 seconds until the RX LED starts flashing (fig. A);
2 - Press the pushbutton of the transmitters to be saved (fig. B), one after the other (see Note 1 on the reverse): with every press of the pushbutton, the RX Led comes on; If necessary, repeat 1 and 2 for the other outlet



HOW TO ADD TRANSMITTERS:

- 1 - Press the pushbutton of an already saved transmitter, until (about 15") the TX LED stays on (fig. C);
- 2 - Within 20 seconds, press a pushbutton of the transmitter you want to add (fig. D). Wait 20 seconds before using it! Repeat C and D for all the transmitters you want to add (up to a maximum of 25 per receiver)

