



### APRIMATIC UNICO RR-SE Receiver

Enabling button (See Fig.4) Using the jumpers JP5-8, you can select which receiver output channel and, therefore, which remote control button, will enable the output signal. This selection is made by closing just one of the jumpers present, following the scheme indicated below:

JP5 – Channel 1 - Button 1 / JP6 – Channel 2 - Button 2 / JP7 – Channel 3 - Button 3 / JP8 – Channel 4 - Button 4

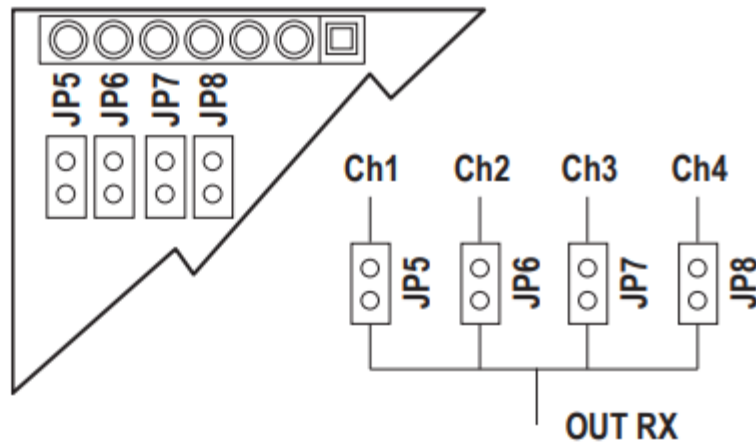
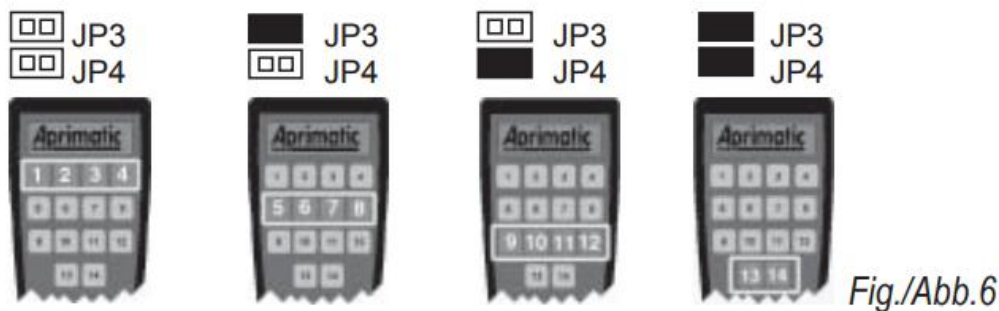
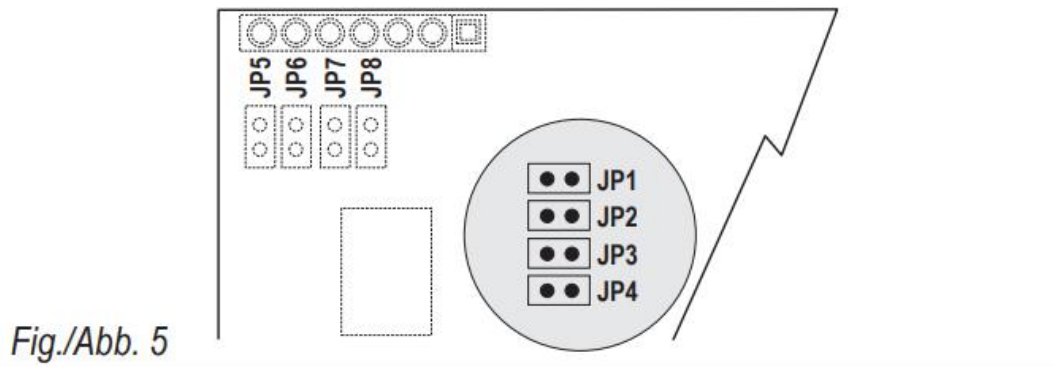


Fig./Abb. 4

Enabling button row (See Figures 5 and 6):

The receivers may be used with 2-, 4- or 14-button remote controls. If you use it with a 14-button remote control, you can use the jumpers JP3 and JP4 to define which row of buttons the receiver must respond to, following the scheme indicated below:

JP3 – JP4 open: row 1 (Buttons 1-4) / JP3 closed: row 2 (Buttons 5-8) / JP4 closed: row 3 (Buttons 9-12)  
JP3 – JP4 closed: row 4 (Buttons 13-14)



INFORMATION: The receiver may also receive commands from 2- and 4-button remote controls (TR2 and TR4) but only if JP3 and JP4 are left open

#### Procedure for self-teaching of the first remote control:

1. Power up the receiver.
2. Make sure that the memory is completely free (10 consecutive beeps); if not, delete the memory.
3. Press all the buttons on the first remote control you want to add at the same time (2 buttons for TR2 units, 4 buttons for TR4 units) until both the LED and the buzzer come ON (continuous beeping) to inform you that the self-teaching stage is running.
4. Now press any key on the transmitter.
5. The LED and the buzzer go OFF briefly and then come back ON, confirming the self-teaching of the remote control within the receiver memory.

#### Procedure for self-teaching of other remote controls

When the self-teaching of the first remote control is completed, while the signal is still ON, you can add other remote controls by repeating steps 3 and 4. Afterwards, you can start the remote control saving procedure again by pressing, at the same time, all the buttons on a TX which has already been saved: the buzzer will sound and you can now add extra remote controls by repeating steps 3 and 4