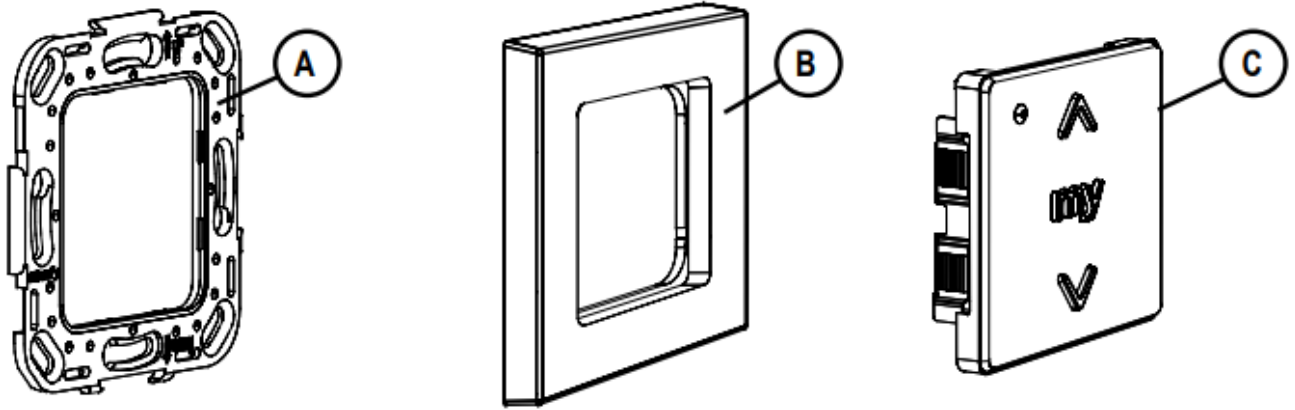


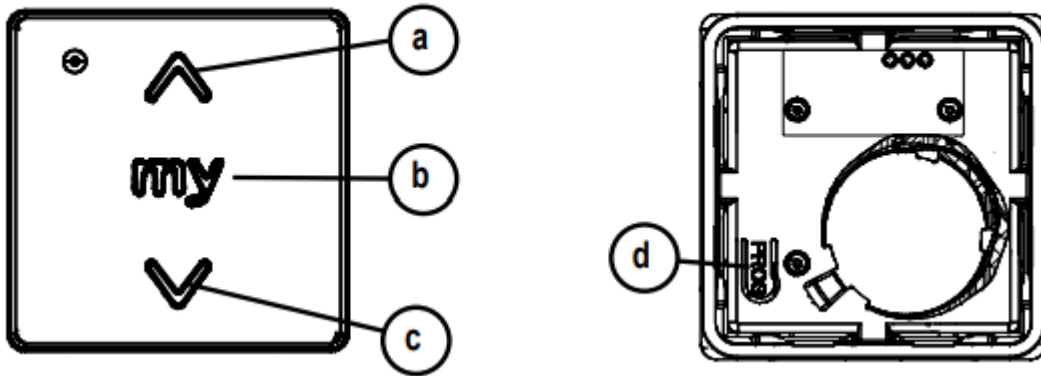


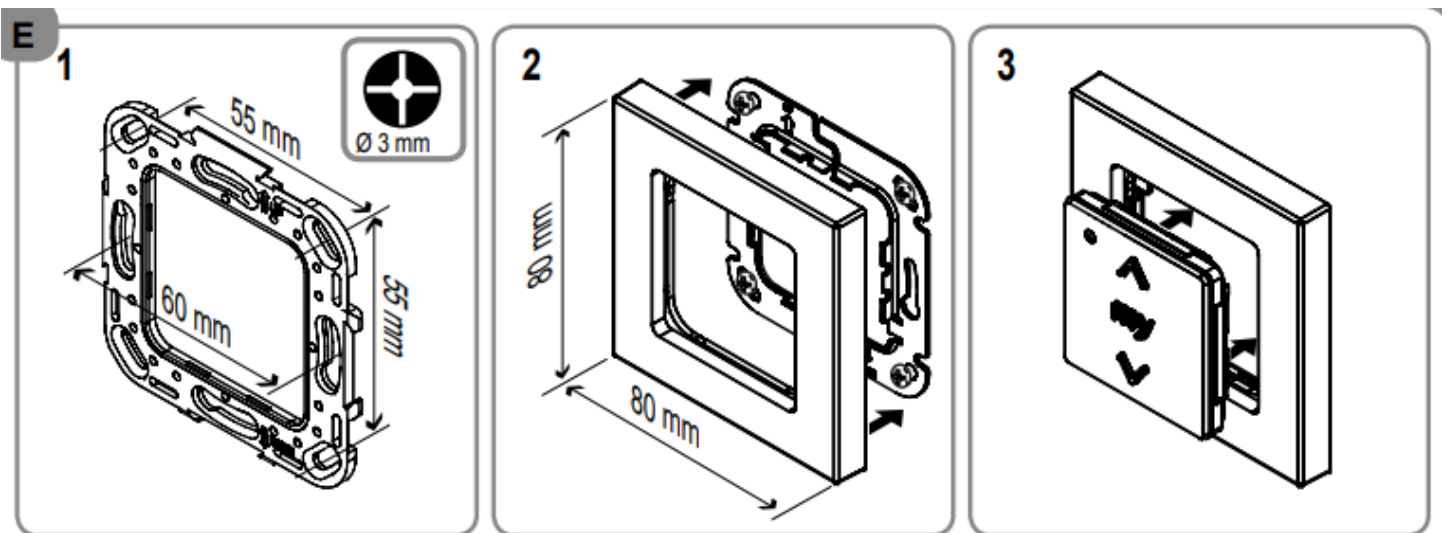
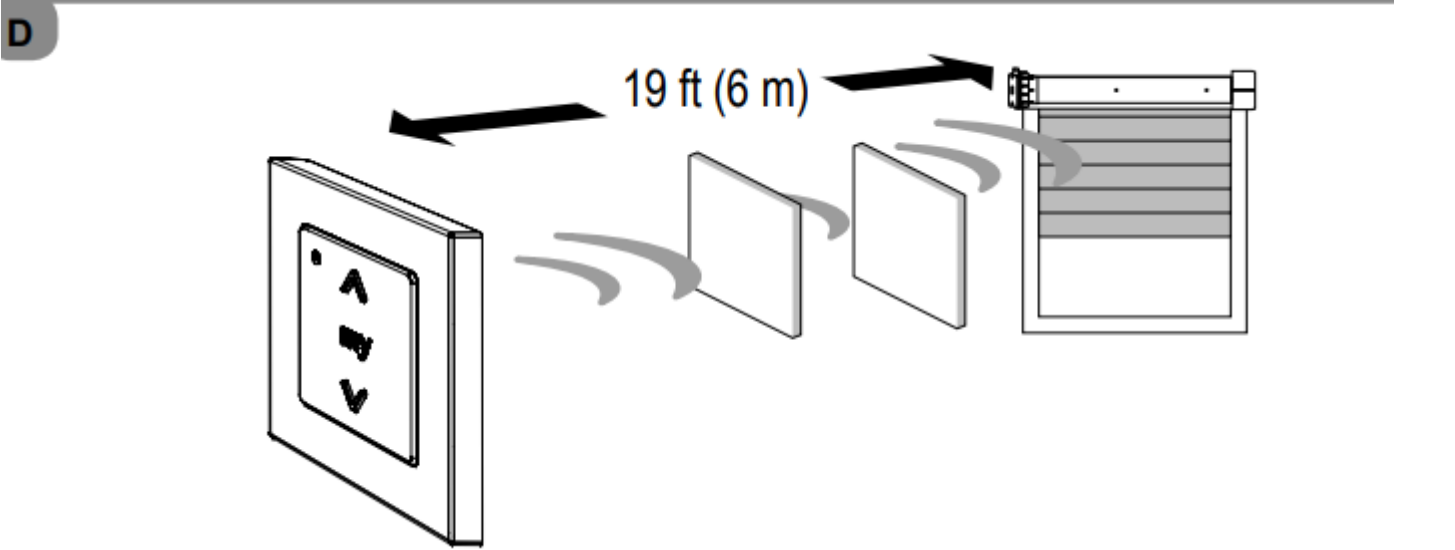
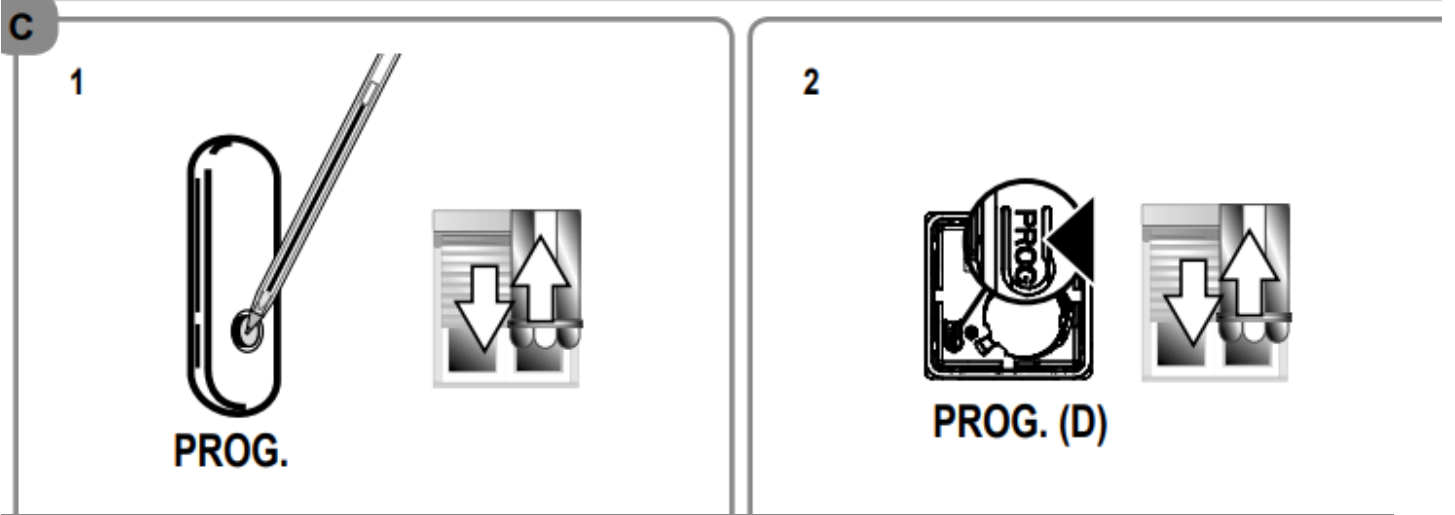
Somfy Smoove RTS

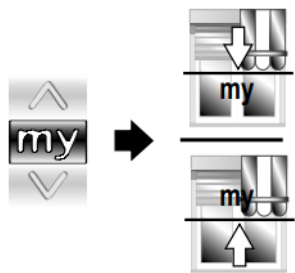
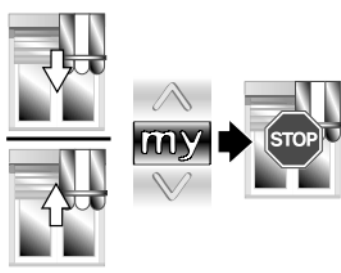
A



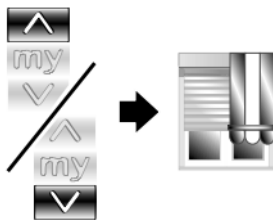
B



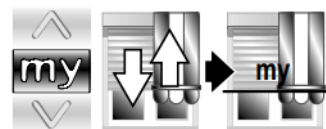


F**G****H**

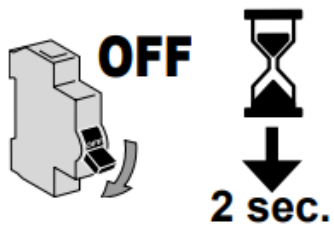
1



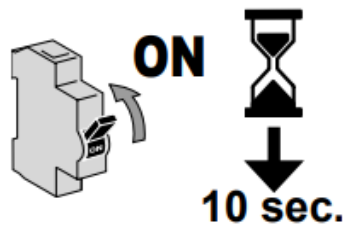
2

**K**

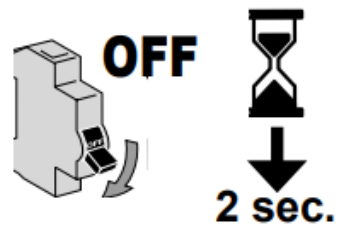
1



2



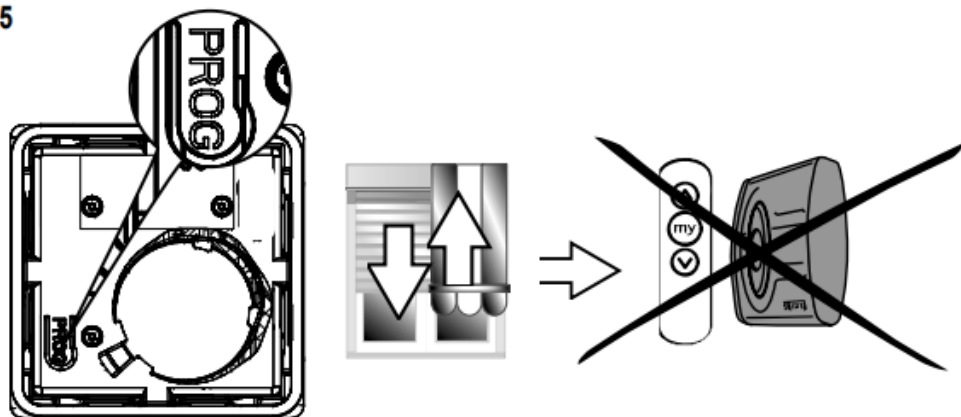
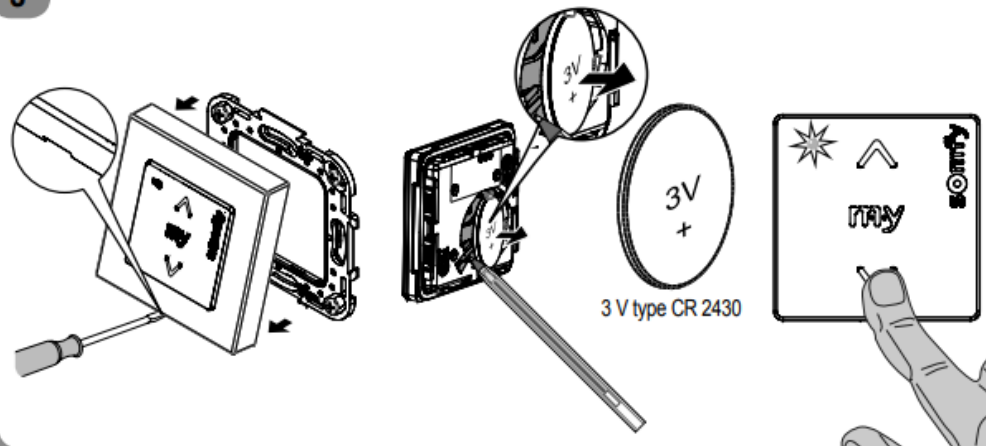
3






4



5

**J**

4.1. The Smoove Origin RTS US in detail

- a)  button (raise, switch on, open, tilt and increase intensity)
- b)  button (stop, go to favourite position)
- c)  button (lower, switch off, close, tilt and reduce lighting or heating)
- d) PROG button

Fix the mounting plate using screws (spaced 55 mm apart) **SEE ILLUSTRATION E:**
Clip the frame onto the mounting plate (notch facing downward)
Clip the Smoove Origin RTS module into the assembly

To add a Smoove origin RTS, use the control point already associated to the application (see illustration C)

1. Set the application to the halfway position
2. Press and hold the PROG button on the already associated RTS control point, until the application moves back and forth
3. The RTS motor or RTS receiver is now in programming mode for 2 minutes
4. Briefly press the PROG button (D): the application moves back and forth
5. The Smoove origin RTS has been programmed!

(my) favourite position: Briefly press my the application reacts to its favourite position (my) **(See illustration F)**

Stop function (see illustration G)

Setting or modifying the favourite position (my) (See illustration H)

1. Set the application into the desired favourite position
2. Press my until the application moves back and forth

Deleting the favourite position

1. Press my: the application is activated and stops in the favourite position (my)
2. Press my again until the application moves back and forth
3. The favourite position my has been deleted