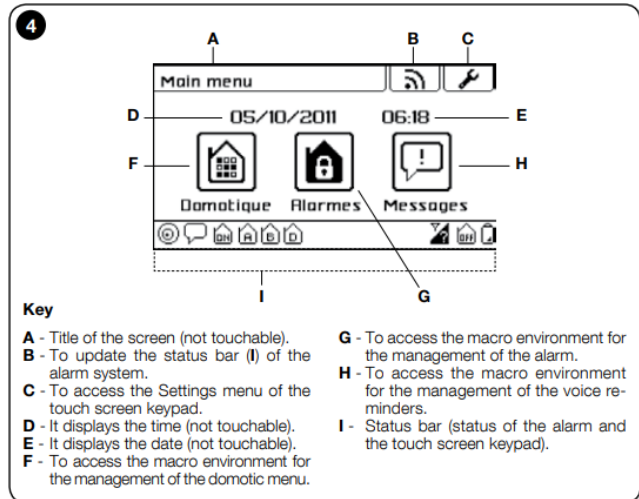
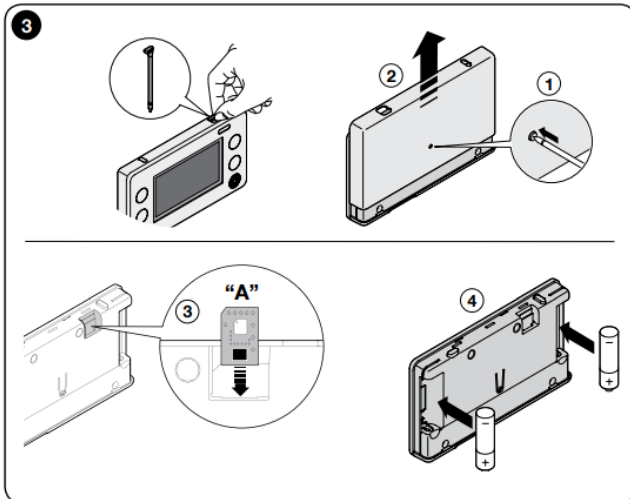




Nice HSTS2FR



To perform the initial start-up proceed as follows (fig. 3):

Open the lid: press on point 1 and then push the bottom upwards (point 2);

Insert the batteries, observing the polarity shown (point 4);

Replace the bottom

Upon start-up, the main screen appears on the display (fig. 4) which has three icons from where you can access the respective sub-menus

To browse through the menu and the sub-menus, just touch the screen in correspondence to the desired icon. Various screen models are available as well as several browsing icons. Before proceeding, get familiar with the screens and icons by consulting figures 4 and 5.

5

Icon key

	Increase		Delete the last character typed
	Decrease		In the alphabetic keypad, switch from upper case to lower case and vice versa. In the numeric keypad, switch from numbers to special characters
	Record		Change the keypad from alphabetic to numeric
	Stop		Request status of the alarm system
	Play		Arrows to scroll vertically
	Save		Settings Menu
	Delete		SIM
	OK		Reminders not read
	Item unselected		Battery level
	Item selected		Transponder reader on
	Go back to the previous menu		New event in the memory of the alarm control unit
	Go back to the main screen		Alarm armed
			Alarm disarmed
			Zone A armed
			Zone B armed
			Zone C armed
			Zone D armed
			Zone E armed
			Zone F armed

3.2 - Configuring the parameters of the touch screen keypad

To access the menu of the parameters to be edited, touch the icon and then select the icon of the parameter to be edited.



SCREEN To adjust the display's brightness level.

Touch the keys or to make the adjustment. To confirm, touch "OK".



AUTO OFF To set the auto-off time of the touch screen keypad.

Select the desired time. To confirm, touch "OK".

Note – The item "Never" keeps the touch screen keypad always on. It is advisable to activate this option only if rechargeable batteries are used, which are regularly charged; e.g. by using the HSTSA1 accessory.



RECHARGE To enable the battery recharging function if rechargeable batteries are used. **Caution!** – Do not recharge non-rechargeable batteries. This operation could damage the touch screen keypad.

Select the desired item. To confirm, touch "OK".



LINK To add or delete the association of the touch screen keypad to an alarm system control unit (see chapter 5).



VOLUME To adjust the volume level.

Touch the keys or to make the adjustment. To confirm, touch "OK".



MOTION To enable the movement sensor to allow the keypad to turn on by a simple movement. The sensor is not active if the touch screen keypad has been turned off with the ON/OFF key.

Select the desired item. To confirm, touch "OK".



CLOCK To set the date and time. If the keypad is associated with the alarm control unit, this icon will not be visible and the date and time set in the alarm control unit will be displayed (see paragraph 5.7.1).



LANGUAGE To configure the language of the touch screen.



FIRMW. To display the firmware version of the touch screen keypad.