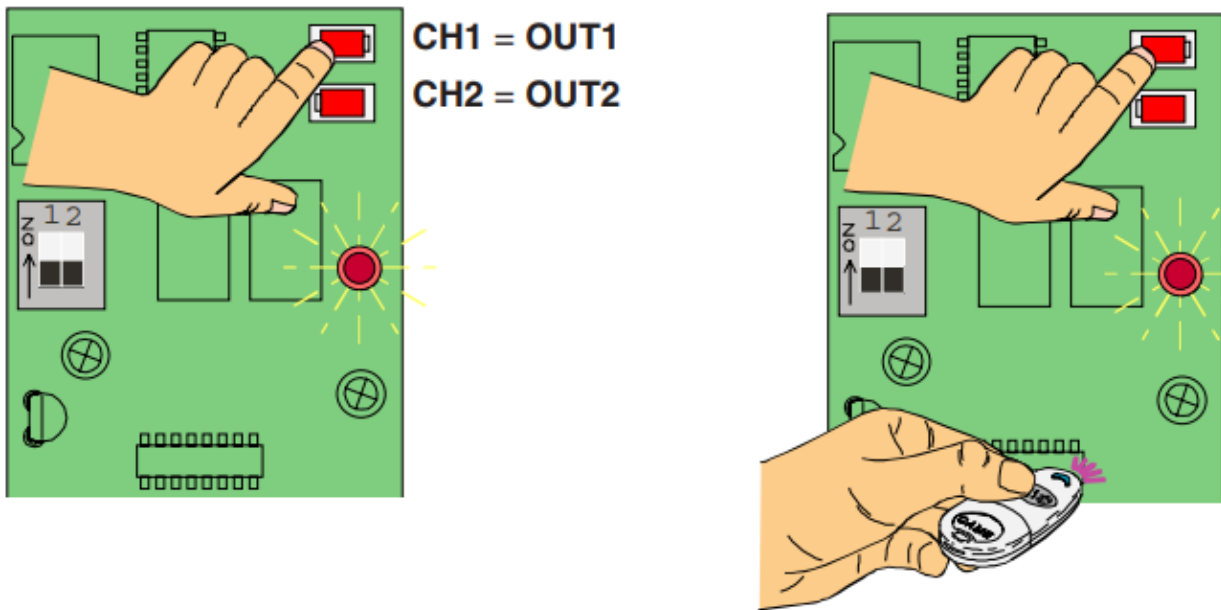




CAME RE432 Receiver

PROGRAMMING THE RADIO CONTROL



- A) Codify the transmitter
- B) Power up the receiver
- C) Keep the code-saving key pressed (Fig. 1: the LED indicator will flash) and send the code by pressing any transmitter key (Fig. 2: the LED indicator will remain on to indicate that the code has been saved).

Carry out the same procedure for the other memorisation key.

N.B.: if the code needs to be changed, repeat the sequence described