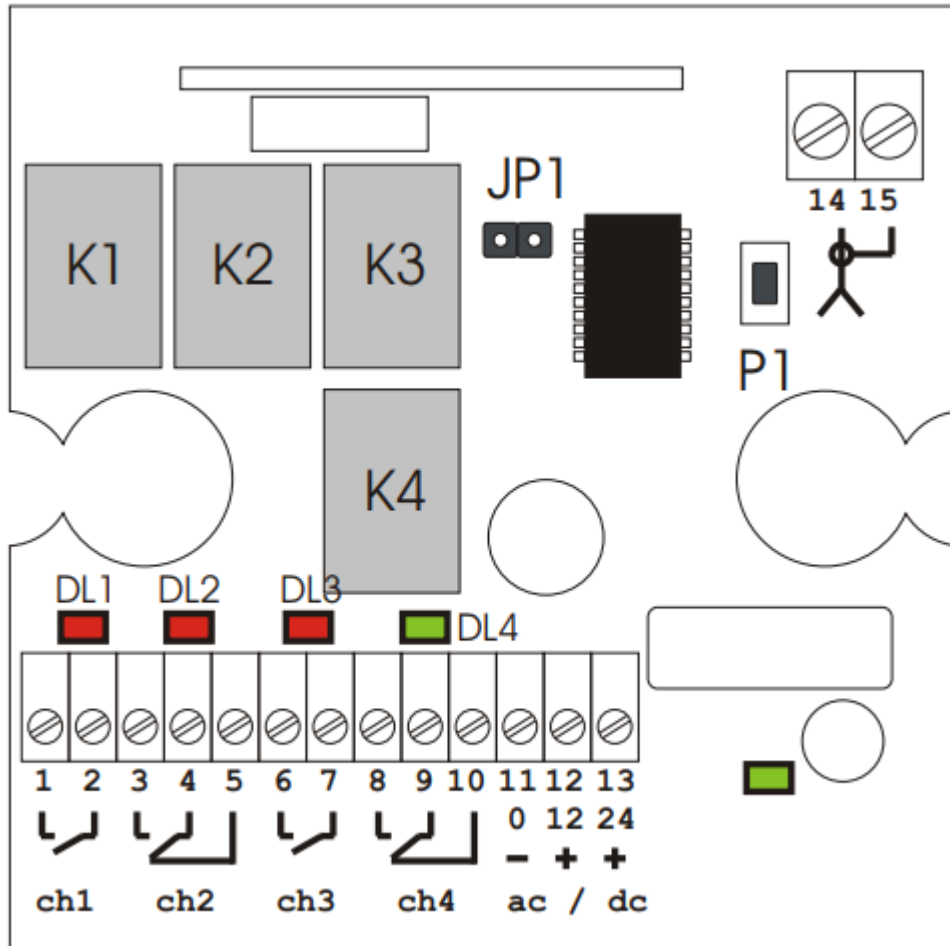




PROEM RR2C4F Receiver



1. Press successively the key P1 until the LED DL comes on
2. Press the button of your new remote control which you want to connect to your receiver
3. You will hear a beep
4. Your receiver enters into programming mode

If programming isn't carried out within 5 seconds, programming mode will be deactivated

The receiver enters into operating mode