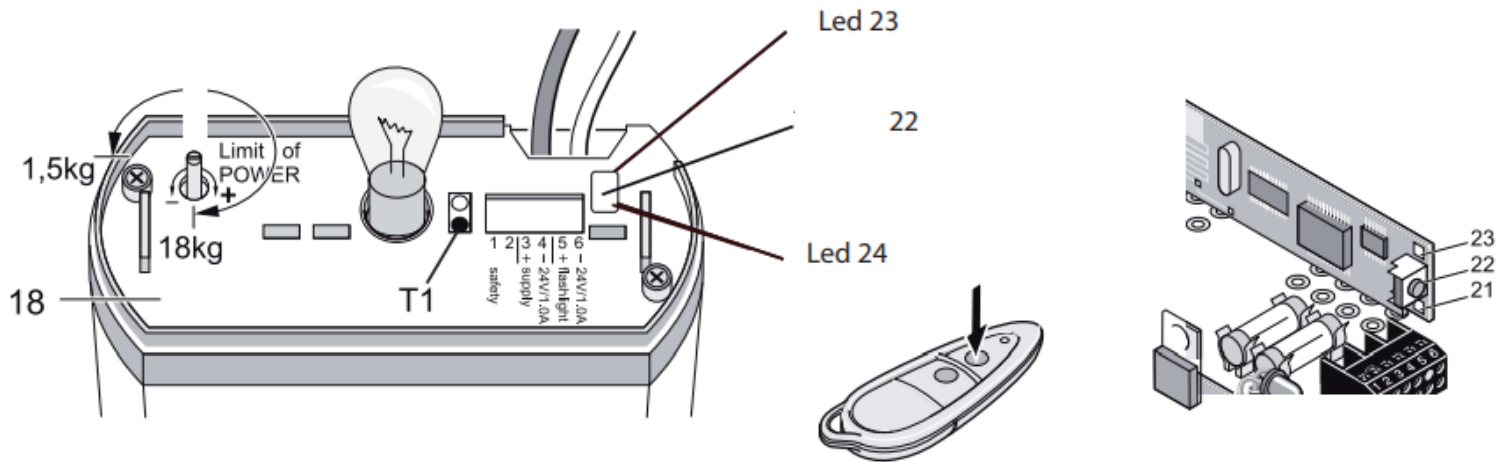




APERTO TX434 2



1. Keep the hidden button 22 (found at the back of your Aperto motor) pressed down until the LED 21 comes on
2. Release the hidden button
3. Take your new remote control and press the button you want to program until the LED DEL 21 comes off
4. Release the button
5. Wait 10 seconds
6. Your new remote control is now programmed