



CARDIN S46

Receiver installation

Depending on the type of installation, work out the position in which the programmer will be situated remembering that the site must be:

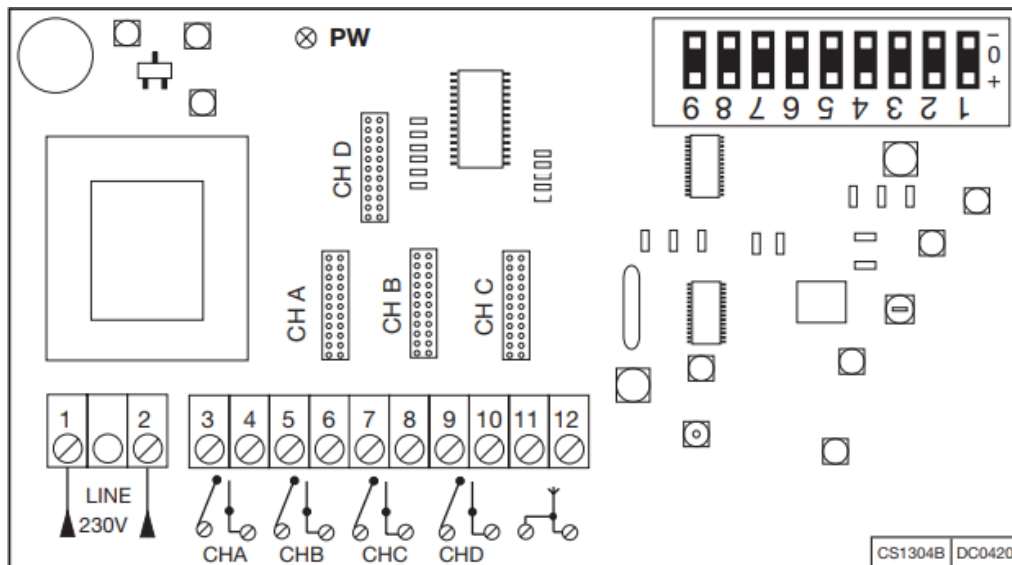
- a position safe from accidental collision;
- high enough above the ground to be safe from pools of water;
- in a position which the technician can easily reach. The fixing of the case type receiver is carried out by using "fast-fitting" brackets.

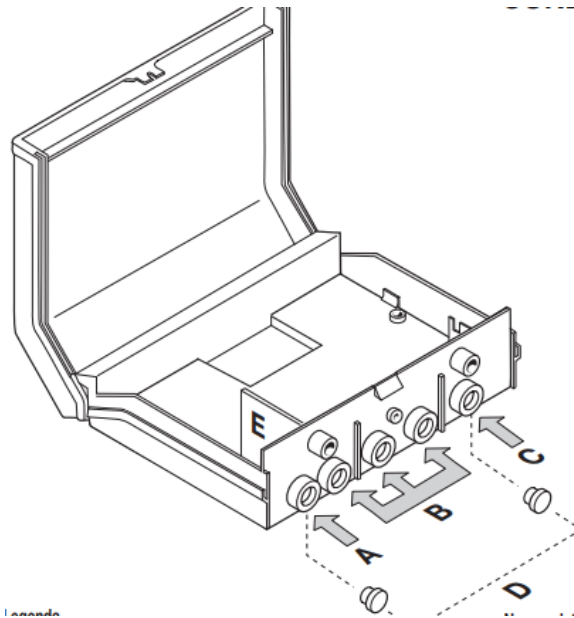
The bracket should be fixed to the wall using two raw plugs (check that it is plumb to the wall), the case can then be slid onto the bracket and fastened securely to the wall. The slot-in circuit located towards the bottom of the case can be easily extracted to facilitate wiring up the device. If any repair work is necessary the case can be easily extracted by pushing upwards the action of which will separate it from the bracket.

Electrical connection

Before connecting the device to the mains make sure that:

- the voltage and frequency rated on the data plate conform to those of the mains supply;
- a bipolar circuit breaker which leaves at least 3 mm between the contacts has been installed between the device and the mains;
- the high voltage 230V wires pass through the holes marked "A" and are routed separately from the low voltage wires which pass through the holes marked "B" and "C"





- A:** Entry holes for 230V- mains wiring
- B:** Entry holes for low voltage 12/24V wiring
- C:** Entry holes for the antenna
- D:** Hole sealing plugs
- E:** Separator wall
- PW:** Power on LED

Antenna

The installation of the antenna is fundamental; connected to the receiver it represents the reception point for the radio control.

When installing the antenna the following points should be observed: - Only use a tuned antenna connected to the receiver using a coaxial cable RG58 (impedance 50Ω) with a maximum length of 15 m;

- The antenna should be positioned out of doors in the highest possible point, visible and away from metal structures.

Note: If for some particular reason it is not possible to fit an antenna, a reasonable performance can be obtained by connecting a 2,5 m piece of single pole conductor wire (Ø1 mm) to the receiver.

Transmitters:

In the transmitters each key corresponds to a different channel, with the sole exception of the two key transmitters where it is possible to have the same channel for both keys. (single-channel operation). For double-channel operation which can be obtained using the second key, set the two-way dip-switch, located separately from the nine-way user code dip-switch on the printed circuit board. Once the transmitter's functions have been programmed or recognized, make sure that every relay strip in the outdoor receiver corresponds to the desired function.

PROGRAMMING THE TRANSMITTER USER CODE:

The transmitters and receivers are supplied with a block of 3-way dip-switches with which to program the digital codes for each system. Programming can be carried out more than once, even after the installation, thus ensuring the total secrecy of the user code.

To ensure an exact match between the transmitter and receiver codes when programming the following possibilities be taken into consideration:

For 2 and 4 key transmitters coupled with receivers with up to 4 channels. Set the same code in both the receiver and the transmitter using all the 9 available DIPS (19683 possible combinations).

It is important to remember that the receivers can only respond to one command at a time. IT FOLLOWS THEREFORE THAT MULTIPLE FUNCTIONS CANNOT BE USED CONTEMPORANEOUSLY

