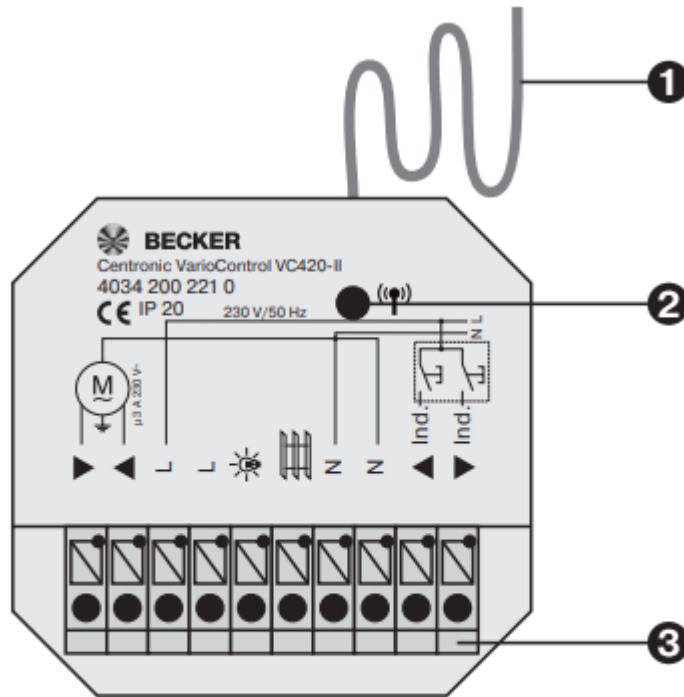




BECKER VC420



- ① Antenna
- ② Programming button
- ③ Connecting terminals

How to program BECKER VC420?

- **Set the VC420 to programming mode by switching on the power supply:**

1. Switch on the power supply
2. The VC420 will remain in the programming mode for 3 minutes

- **OR set the VC420 using the programming button:**

1. Press and hold the programming button for 3 seconds
2. The VC420 will remain in the programming mode for 3 minutes

- **Programming the master transmitter:**

NOTE: The master transmitter is the very first transmitter programmed on a receiver. It enables the setting of limit positions (for drives with integrated radio receivers) and the programming or deleting of further transmitters.

1. Press the programming button of the transmitter for 3 seconds
2. The system will confirm the program setting with a 'nod'. i.e. the shutter/awning/blind moves a few centimeters in one direction and then reverses the same distance
3. The programming process is now complete