

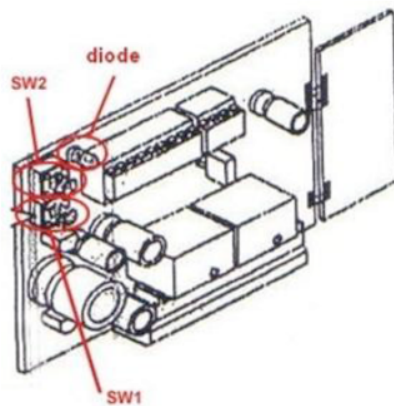
Manual

How to Programme your BFT Mitto 2M - Mitto 4M remote control

How to program your new remote control:

There are many different types of receivers.

Receiver without digital screen (first type of receiver):



1. Open the casing of your receiver. It is located next to your motor.
2. On the receiver circuit board, press the programming button (SW1). The LED light of the receiver blinks. Let the button go.
3. Press both buttons on your new remote control at the same time. Let them go. The LED light of the receiver remains lit fixedly.
4. Press the left button on your new remote control. Let it go. The LED light of the receiver blinks.
5. Wait 5 seconds. The LED light of the receiver turns off.
6. Repeat this procedure for the right button of your new remote control. This time, use the programming button SW2.
7. Wait 10 seconds.
8. Your new remote control is programmed.

[Receiver with digital screen \(second type of receiver\):](#)



1. Press the "OK" button on your receiver twice. The screen displays "PARA."
2. Press the "-" button on your receiver twice. The screen displays "RADIO."
3. Press the "OK" button on your receiver once. The screen displays "ADJ STRT."
4. Press the "OK" button on your receiver once. The screen displays "Hidden Button."
5. Press both buttons on your new remote control at the same time. Keep them pressed down. The screen displays "Released".
6. Let the buttons go. The screen displays "Desired Button".
7. Press a button on your new remote control. The screen displays "OK".
8. Wait 10 seconds.
9. Your new remote control is programmed.